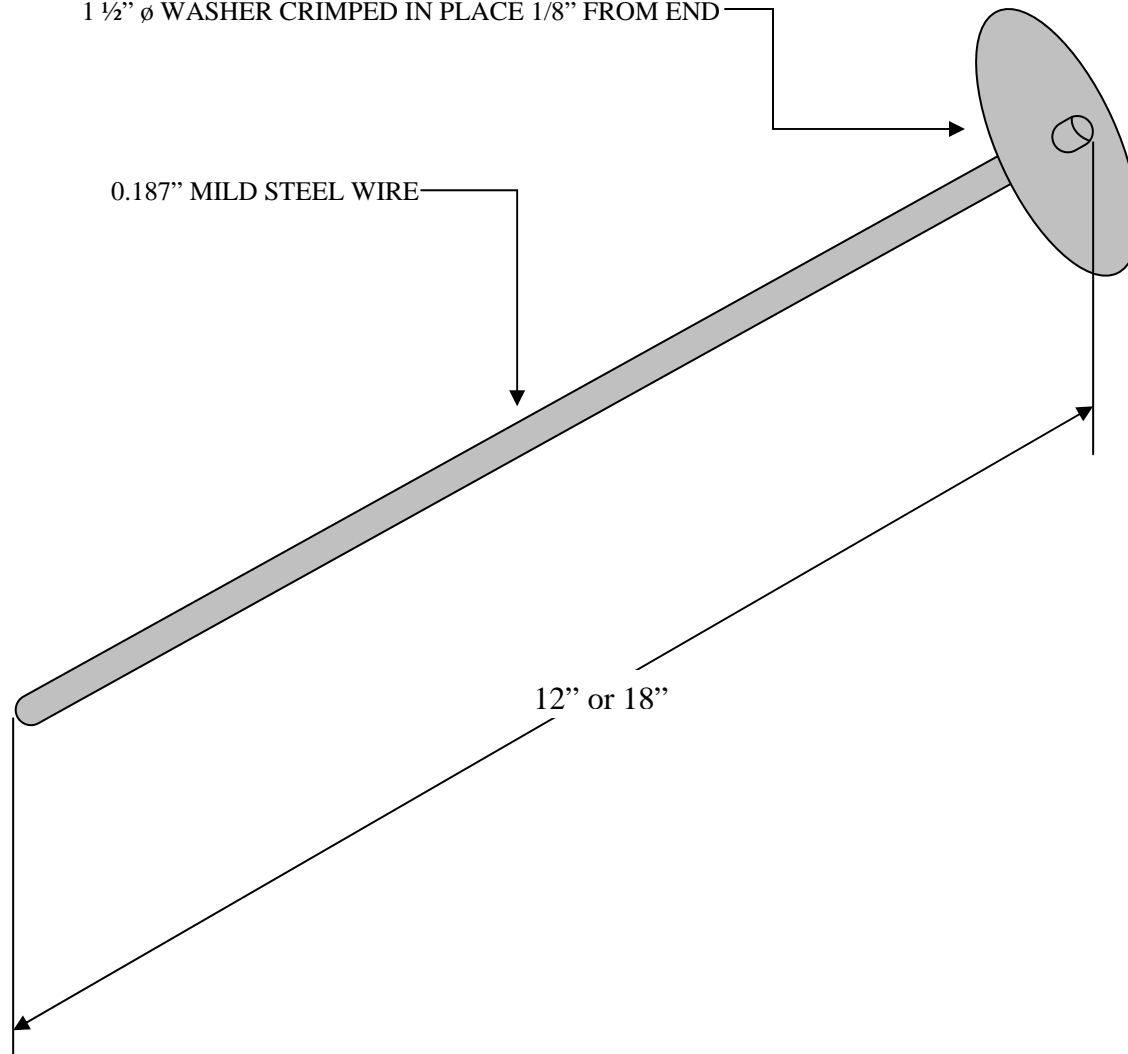




1 1/2" ϕ WASHER CRIMPED IN PLACE 1/8" FROM END

0.187" MILD STEEL WIRE



12" or 18"

FABRIC PIN